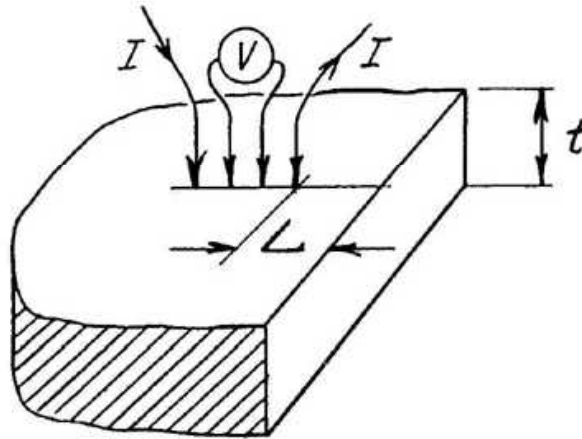


E.2) Probe Array Perpendicular to Edge, Thick Sample.

The geometric factor was calculated by Uhlir (f)(g)
The result is presented here in the following way :

$$\rho = G \frac{V}{I}, \quad G = 2\pi s \cdot D_T \left(\frac{L}{s}, \frac{t}{s} \right) \quad (12)$$

where

$2\pi s$ is the geometric factor for a semi-infinite volume, and

$D_T \left(\frac{L}{s}, \frac{t}{s} \right)$ is tabulated and plotted on page 19 .