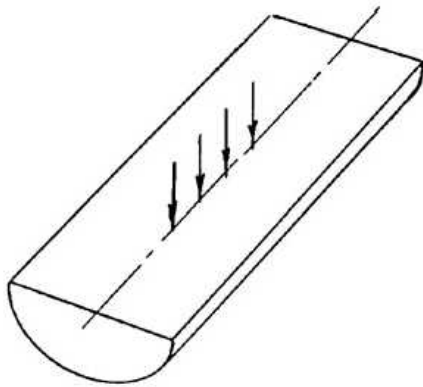
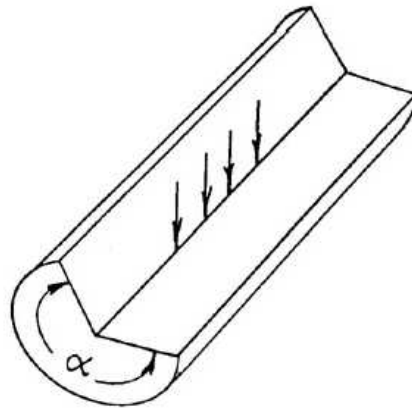


Example 3:



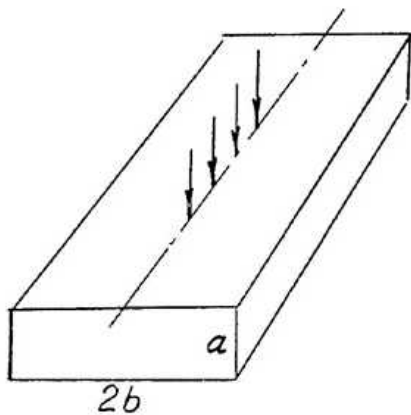
$$\varrho = G \frac{V}{I}$$



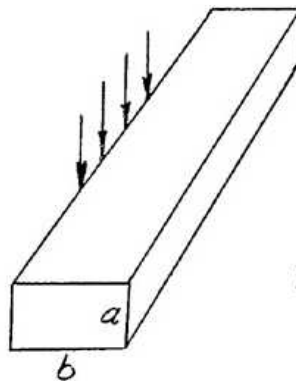
$$\varrho = \frac{\alpha^\circ}{180^\circ} G \frac{V}{I}$$

A fourth example on box-shaped samples:

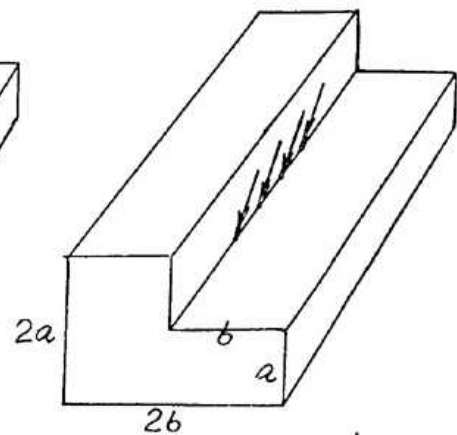
Example 4:



$$\varrho = G \frac{V}{I}$$



$$\varrho = \frac{1}{2} G \frac{V}{I}$$



$$\varrho = \frac{3}{2} G \frac{V}{I}$$